

PRODUCT FEATURES



Scratch resistant



Termite resistant



Chemical cleaning resistant



Fast delivery & installation



Complete natural shutter structure



Imported raw materials



Moisture resistant



Frame, shutter & magnetic lock



Technology from Europe



NCL Industries Limited

NCL Pearl, 6th and 7th Floor, Near Rail Nilayam,
Sarojini Devi Road, Secunderabad - 500026

 **040 3012 0000**

www.duradoor.in | doors@duradoor.in

 /NCLDuradoor  /nclduradoor  /duradoor

Duradoor™
Doors for a lifetime

NCL Industries is not responsible for print error. January 2019



Duradoor™
Doors for a lifetime



Create an everlasting impression
with the finest range of **Interior Doors**
by **Duradoor™** from NCL

T&C Apply

TABLE OF CONTENTS

3 Introduction

4 Natura

6 Signature Series

7 Wood

10 Aluminium

11 Glass

13 Soft Touch

20 Fire Resistant

22 Door Accessories

24 Technical Specifications

26 Door Profiles

27 FAQs

28 Product Features



A door doesn't just mark a passage between two rooms. It represents a world of endless opportunities, dreams and aspirations.

Duradoor™ is the latest innovative product from NCL Industries in technical collaboration with AGT of Turkey. AGT is a Global Brand that operates in 60 countries and 5 continents and has a diverse portfolio of products including profiles, flooring, base boards and much more

While a regular door is a product of 5 different parts, separately manufactured and assembled together, Duradoor™ combines each detail into a single distinctive product. Precision engineered using High Density, High Moisture resistant wood fibre, Laminated Veneer Lumber (LVL), High-density Honeycomb and other imported raw materials. Choose from 7200 style and colour variations and experience all-in-one engineered doors with Duradoor™.

NATURA

Highlighting the natural texture and colour of timber, our Natura range of doors are inspired by nature itself.

Natura Flat



Natura Flat



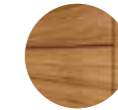
Natura Flat

Shutter Measurements

400x42x2050 810x42x2050
710x42x2050 910x42x2050

Frame Measurements

100mm, 130mm, 160mm, 190mm
220mm, 250mm, 280mm



*Optionally, various models can be created by adding profiles or joint gaps.

Available Variants



Montebello



Bamboo



Teak



Arizona Oak



Wenge



Tabacco

Architrave Options

Code number	Architrave Measurements	Product Cross Section
Plain Architrave	80x12x2200	
PV00076T	95x25x2250	
PV00124T	90x22x2200	
Oval Architrave	90x18x2200	

SIGNATURE SERIES

One look and you'll be hooked. That's what we promise with Signature. The Signature range comes in three exciting variants – wood, glass and aluminium – adding oodles of charm and class to your home.

WOOD

Trend Slim

Trend Line

New Myra

ALUMINIUM

New Likya

GLASS

Trend Vision

Serena Vision



WOOD

Offering the most wonderful contrast to your home's urban décor is the wooden range of Signature. Designed with the same texture and grains as high quality timber, these doors elevate simplicity into a work of art.

Trend Slim



Trend Slim

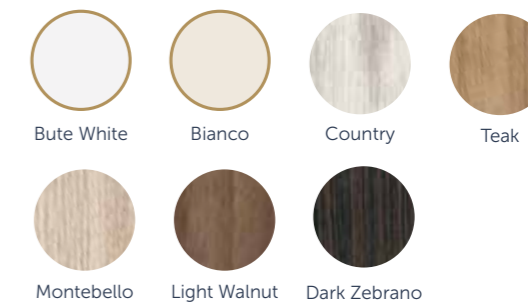
Shutter Measurements

400x42x2050 810x42x2050
710x42x2050 910x42x2050

Frame Measurements

100mm, 130mm, 160mm, 190mm
220mm, 250mm, 280mm

Available Variants



Architrave Options

Code number	Architrave Measurements	Product Cross Section
Plain Architrave	80x12x2200	
PV00076T	95x25x2250	
PV00124T	90x22x2200	
Oval Architrave	90x18x2200	

Trend Line



Trend Line

Shutter Measurements

400x42x2050 810x42x2050
710x42x2050 910x42x2050

Frame Measurements

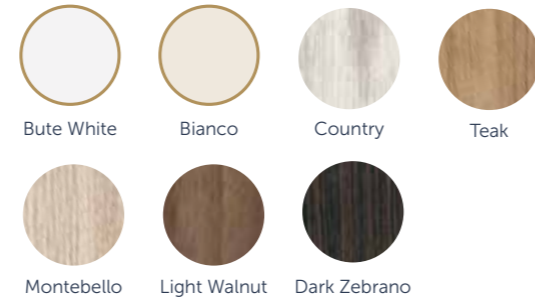
100mm, 130mm, 160mm, 190mm
220mm, 250mm, 280mm



PR4507 profile is used in Trend Line model.

Profile Colors: Bute White, Black, Teak, Silver, Soft Touch Mocca, Soft Touch New Grey, Soft Touch Stone Grey

Available Variants



Architrave Options

Code number	Architrave Measurements	Product Cross Section
Plain Architrave	80x12x2200	
PV00076T	95x25x2250	
PV00124T	90x22x2200	
Oval Architrave	90x18x2200	

New Myra



New Myra

Shutter Measurements

400x42x2050 810x42x2050
710x42x2050 910x42x2050

Frame Measurements

100mm, 130mm, 160mm, 190mm
220mm, 250mm, 280mm

Available Variants



Architrave Options

Code number	Architrave Measurements	Product Cross Section
Plain Architrave	80x12x2200	
PV00076T	95x25x2250	
PV00124T	90x22x2200	
Oval Architrave	90x18x2200	

ALUMINIUM

Combining the durability of aluminium with the aesthetics of wood, our aluminium doors are designed to give your indoors an uber-premium look.

New Likya



New Likya

Shutter Measurements

400x42x2050 810x42x2050
710x42x2050 910x42x2050

Frame Measurements

100mm, 130mm, 160mm, 190mm
220mm, 250mm, 280mm

Aluminium lath is used in New Likya model.

Available Variants



Architrave Options

Code number	Architrave Measurements	Product Cross Section
Plain Architrave	80x12x2200	
PV00076T	95x25x2250	
PV00124T	90x22x2200	
Oval Architrave	90x18x2200	

GLASS

A pleasing effect produced by a stylish arrangement of timber and glass. Crafted to match your décor and your lifestyle by combining bold designs with distinctive glass patterns.

Trend Vision



Trend Vision

Shutter Measurements

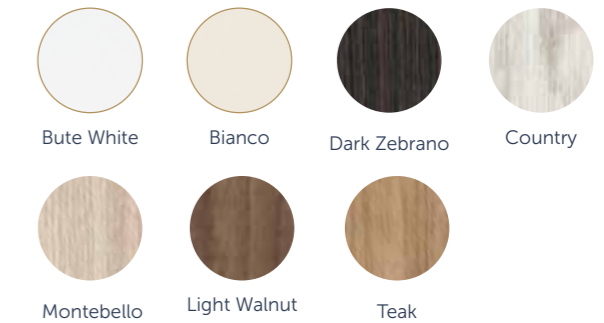
400x42x2050 810x42x2050
710x42x2050 910x42x2050

Frame Measurements

100mm, 130mm, 160mm, 190mm
220mm, 250mm, 280mm

*1047 and 1056 profiles are used in Trend Vision model.

Available Variants



Architrave Options

Code number	Architrave Measurements	Product Cross Section
Plain Architrave	80x12x2200	
PV00076T	95x25x2250	
PV00124T	90x22x2200	
Oval Architrave	90x18x2200	

Serena Vision



Serena Vision

Shutter Measurements

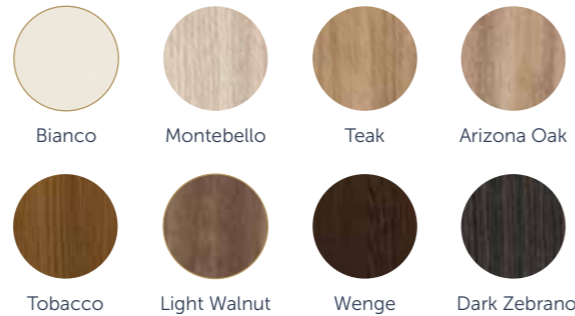
400x42x2050 810x42x2050
710x42x2050 910x42x2050

Frame Measurements

100mm, 130mm, 160mm, 190mm
220mm, 250mm, 280mm

*PR04776 and PR04777 profiles are used in Serena Vision model.

Available Variants



Architrave Options

Code number	Architrave Measurements	Product Cross Section
Plain Architrave	80x12x2200	
PV00076T	95x25x2250	
PV00124T	90x22x2200	
Oval Architrave	90x18x2200	

SOFT TOUCH

With its velvety smooth texture, our luxurious soft touch doors are an epitome of refinement and taste.

Soft Touch Flat

Soft Touch Elite

Soft Touch Royal

Soft Touch Royal Vision

Soft Touch New Patara

Soft Touch New Patara Vision



Soft Touch Flat



Soft Touch Flat

Shutter Measurements

400x42x2050 810x42x2050
710x42x2050 910x42x2050

Frame Measurements

100mm, 130mm, 160mm, 190mm
220mm, 250mm, 280mm

Available Variants



Soft Touch White Soft Touch Cream Soft Touch New Grey Soft Touch Storm Grey Soft Touch Stone Grey

Architrave Options

Code number	Architrave Measurements	Product Cross Section
Plain Architrave	80x12x2200	
PV00076T	95x25x2250	
PV00124T	90x22x2200	
Oval Architrave	90x18x2200	

Soft Touch Elite



Soft Touch Elite

Shutter Measurements

400x42x2050 810x42x2050
710x42x2050 910x42x2050

Frame Measurements

100mm, 130mm, 160mm, 190mm
220mm, 250mm, 280mm

*PR04776 and PR04777 profiles are used in Serena Vision model.



* Flat architrave is recommended for Soft Touch Flat Door Shutter and Soft Touch Elite Door Shutter.

Available Variants



Soft Touch White Soft Touch Cream Soft Touch New Grey Soft Touch Storm Grey Soft Touch Stone Grey

Architrave Options

Code number	Architrave Measurements	Product Cross Section
Plain Architrave	80x12x2200	
PV00076T	95x25x2250	
PV00124T	90x22x2200	
Oval Architrave	90x18x2200	

Soft Touch Royal



Soft Touch Royal

Shutter Measurements

400x42x2050 810x42x2050
710x42x2050 910x42x2050

Frame Measurements

100mm, 130mm, 160mm, 190mm
220mm, 250mm, 280mm

PR4122 profile is used in Soft Touch Royal model.

Available Variants



Architrave Options

Code number	Architrave Measurements	Product Cross Section
Plain Architrave	80x12x2200	
PV00076T	95x25x2250	
PV00124T	90x22x2200	
Oval Architrave	90x18x2200	

Soft Touch Royal Vision



Soft Touch Royal Vision

Shutter Measurements

400x42x2050 810x42x2050
710x42x2050 910x42x2050

Frame Measurements

100mm, 130mm, 160mm, 190mm
220mm, 250mm, 280mm

*PV00076 molding is recommended for Soft Touch Royal Door Leaf.

*PR4788 and 1056 profiles are used in Soft touch Royal Vision Model

Available Variants



Architrave Options

Code number	Architrave Measurements	Product Cross Section
Plain Architrave	80x12x2200	
PV00076T	95x25x2250	
PV00124T	90x22x2200	
Oval Architrave	90x18x2200	

Soft Touch
New Patara



Soft Touch New Patara

Shutter Measurements

400x42x2050 810x42x2050
710x42x2050 910x42x2050

Frame Measurements

100mm, 130mm, 160mm, 190mm
220mm, 250mm, 280mm

* PR00348 and 1056 profiles are used in Soft Touch New Patara model.

Available Variants



Architrave Options

Code number	Architrave Measurements	Product Cross Section
Plain Architrave	80x12x2200	
PV00076T	95x25x2250	
PV00124T	90x22x2200	
Oval Architrave	90x18x2200	

Soft Touch New
Patara Vision



Soft Touch New Patara Vision

Shutter Measurements

400x42x2050 810x42x2050
710x42x2050 910x42x2050

Frame Measurements

100mm, 130mm, 160mm, 190mm
220mm, 250mm, 280mm

* PV00076 architrave is recommended for Soft Touch New Patara and Soft Touch New Patara Vision Door Shutter.

* PR00348, PR00439 and 1056 profiles are used in Soft Touch New Patara model.

Available Variants



Architrave Options

Code number	Architrave Measurements	Product Cross Section
Plain Architrave	80x12x2200	
PV00076T	95x25x2250	
PV00124T	90x22x2200	
Oval Architrave	90x18x2200	

FIRE RESISTANT

Ensure complete safety for your home by installing our rugged range of fire resistant doors made from high grade Sanopan boards, built to withstand fires for much longer than regular wooden doors.



Moisture Resistant



Impact Resistant



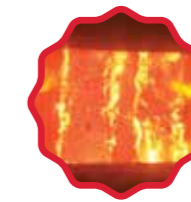
Termite Resistant



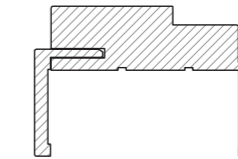
Superior Acoustic Insulation



Doesn't need painting and maintenance



30 minutes fire-rated doors are produced with all door colors while 60 minutes fire-rated doors are produced with Trend and Soft Touch Door colors.



Case, Frame Details:

Two different models have fire resistance certificate which is taken by testing 30 mins and 60 mins under BS and EN standards.

Fire Resistant Door

Shutter Measurements

400x42x2050	810x42x2050
710x42x2050	910x42x2050

Frame Measurements

100mm, 130mm, 160mm, 190mm
220mm, 250mm, 280mm

- Fire and smoke resistance for up to 30-60 minutes.
- The composite, coated by HDHMR plate and installed with special panels within HDHMR carcass without using forest products, has steady and light structure,
- Excellent acoustic insulation performance.
- It is suitably produced for painting and coating which do not need fire endurance along with components that has a fire endurance certificate.
- It does not require any additional varnish, paint, coating for fire resistance.

DOOR ACCESSORIES

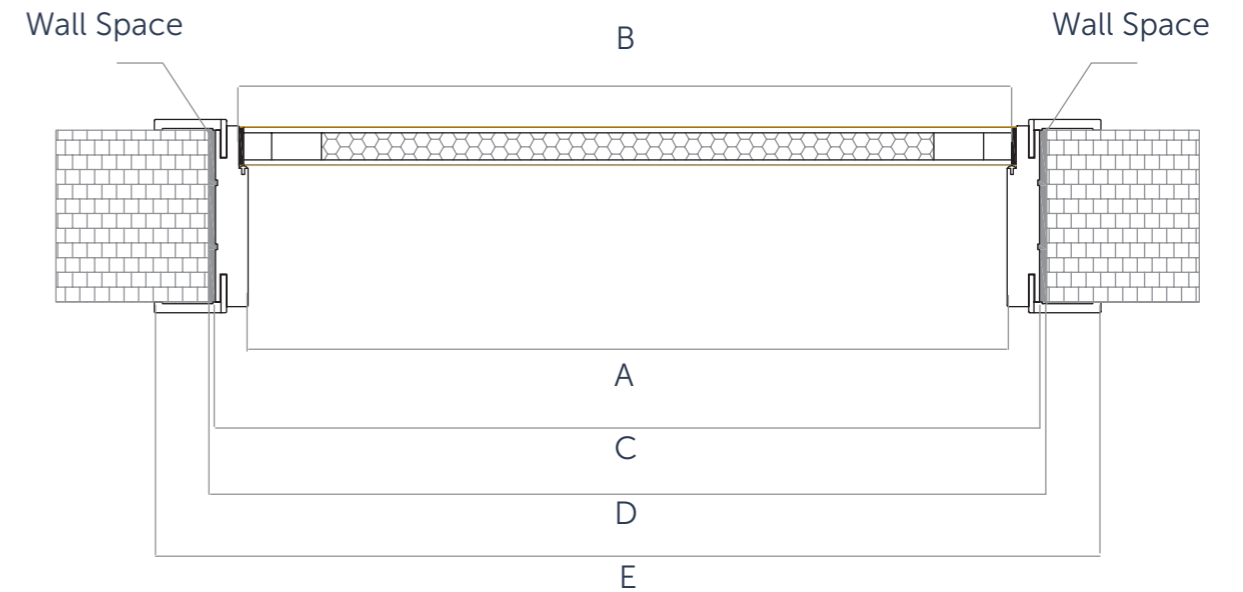


SHUTTER DIMENSIONS



W : Width - 400 mm - 910 mm
L : Length - 2050 mm
T : Thickness - 42 mm

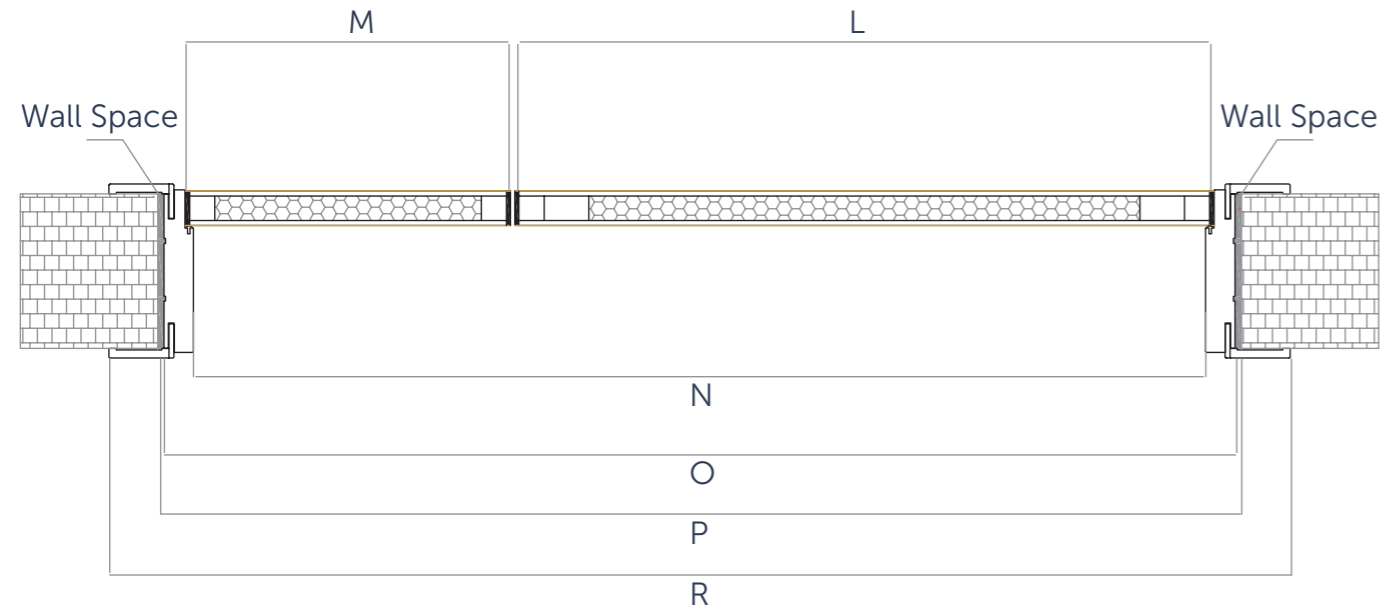
MEASUREMENTS OF DOOR & FINISHED WALLS



Door Width Measures	Frame Inner Width A	Shutter Width B	Frame Outer Width C	Finished Wall Width D	Border Width E
710	696	710	768	788-808	902
810	796	810	868	888-908	1002
910	896	910	968	988-1008	1102

Note: The most suitable distance for the foam is 12 - 25 mm.
Please consider this distance while taking dimension.

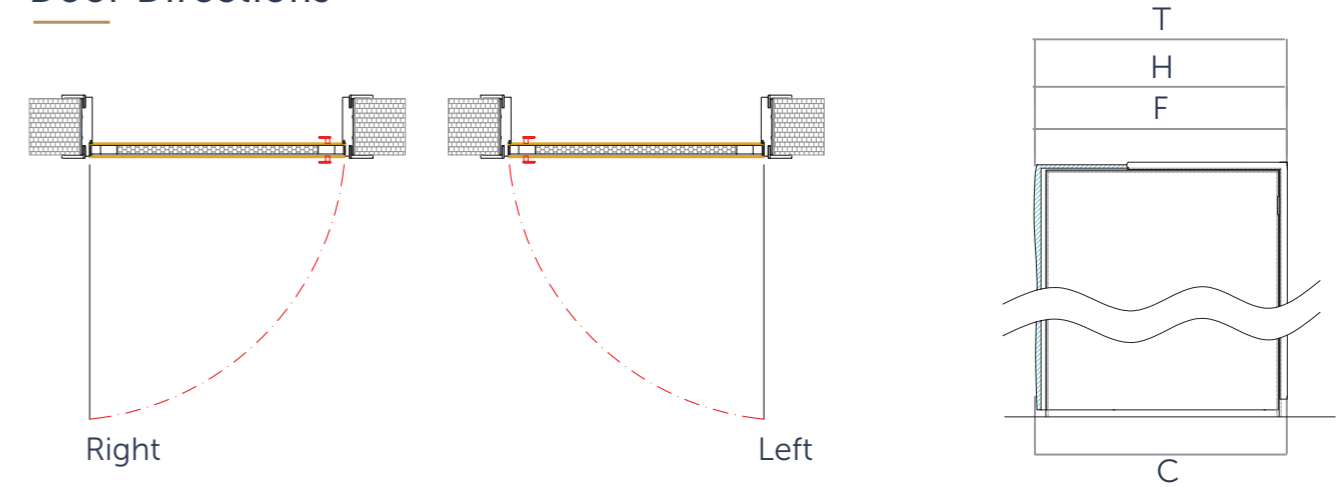
TECHNICAL SPECIFICATIONS



Door Width Measures	Main Shutter Width L	Narrow Shutter Width M	Frame inner Width N	Frame Outer Width O	Finished Wall Width P	Frame Border Width R
710 - 400	710	400	1099	1171	1171	1191 - 1211
810 - 400	810	400	1199	1271	1271	1291 - 1311
910 - 400	910	400	1299	1371	1371	1391 - 1411

TECHNICAL SPECIFICATIONS

Door Directions

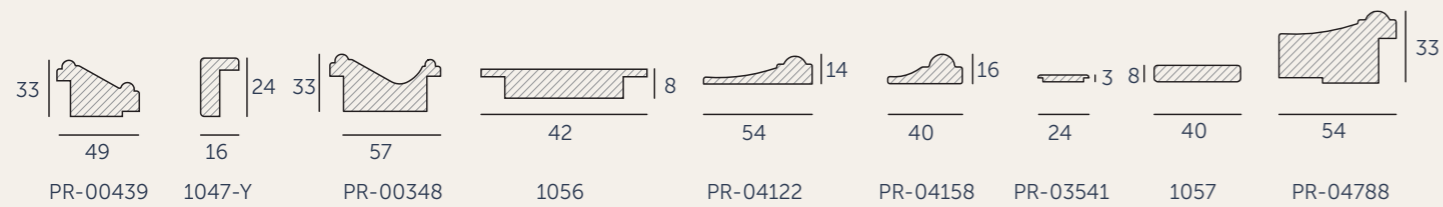


Door Height Measures	Shutter Height F	Frame Height H	Finished Wall Width T	Frame Height C
	2050	400	Min: 2104 Max: 2114	2161

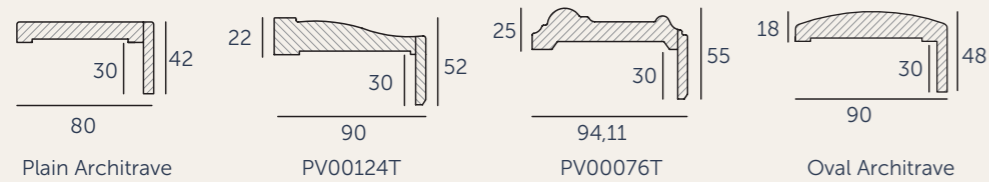
General Specifications

- High surface resistance
- More scratch resistance in comparison to traditional doors
- Antibacterial, resistant to chemical cleaning products, moisture and harsh conditions
- Production capacity of 1000 doors per shift and fast delivery/installation
- Completely natural shutter structure
- Shutter surface compatible to profile adding applications
- Unique harmony with other furniture components
- Over 7200 style and colour options

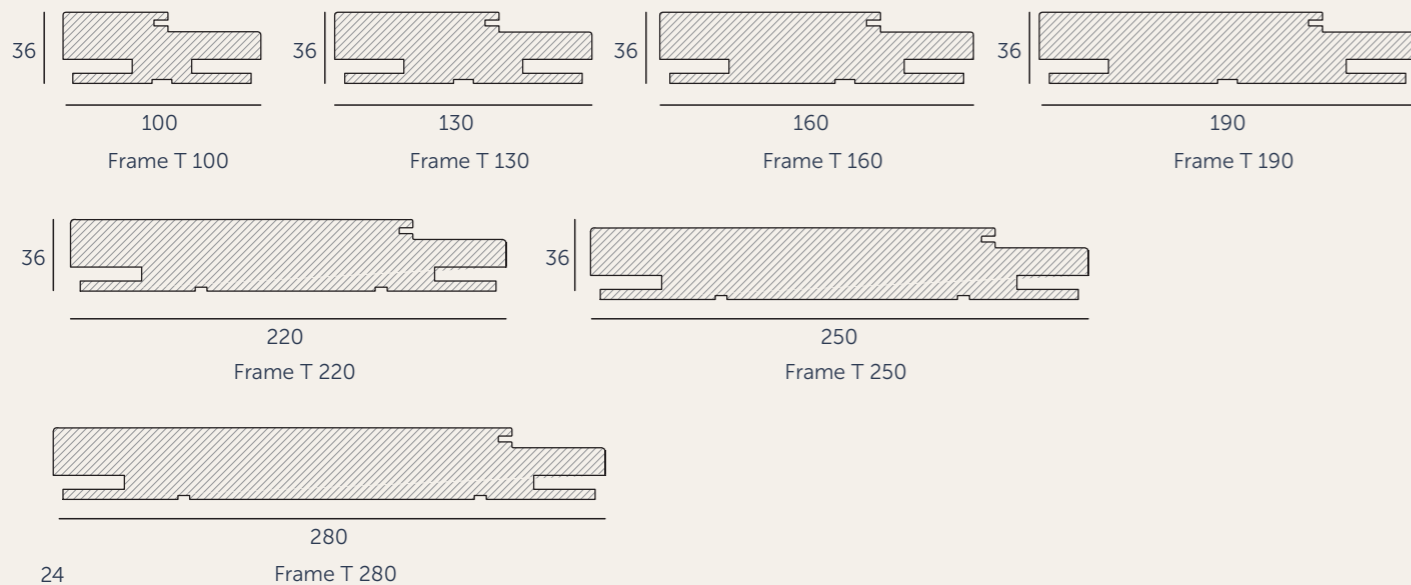
Door Profiles



Architrave Measurements



Frame Measurements



FAQs

How do I get Duradoor™ installed?

Duradoor™ will be installed by a trained installation team. You may fix the date and time of installation of the door with the company representative.

How long will it take for my door to get delivered?

The delivery time will vary as per availability and location and needs to be discussed with the company representative at the time of purchase.

What is the cost of installation?

Rates are inclusive of installation and service.

How should my door be stored before fitting?

It is suggested that the door be delivered at the time of installation to prevent any damage. In case the delivery of door is taken before the scheduled installation, the door should be kept flat on a raised surface.

How do I change the lock on my door?

The lock will be installed by a trained installation team during door installation. In case you wish to change the lock in the future, you may contact your company representative or call at the toll free number 040 3012 0000.

Can I get the door height and width customised?

Yes, absolutely. As a part of the installation, our trained installation team will come to the site to take precise measurements and then manufacture the door.

Can extra lock be installed?

Doors with option for extra lock can be made available on request.

Will the door's finish peel off or get spoilt?

The finish of the door is factory engineered and will not get spoilt unless the door comes on contact with harsh chemicals or a heavy object which can destroy the outer coating of the door.

Can I paint the door?

Painting the door will remove the elegant look and natural finish. It is advised not to paint the door. Any such application will revoke its warranty.

What should I do in case of complaints or queries?

Contact us at our Toll-free helpline at **040 3012 0000** and our customer service executive will help you.

NCL INDUSTRIES LIMITED

